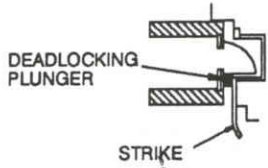
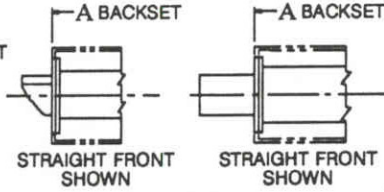
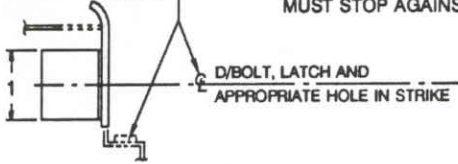


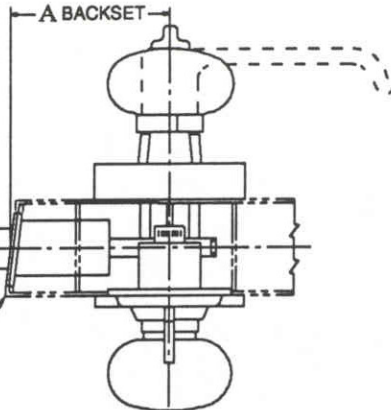
DOOR FRAME MANUFACTURER'S SHOULD PROVIDE THE REQUIRED CLEARANCE TO ALLOW BOLT OR LATCH TO ENTER STRIKE WHEN GASKETING OR SILENCERS ARE USED.



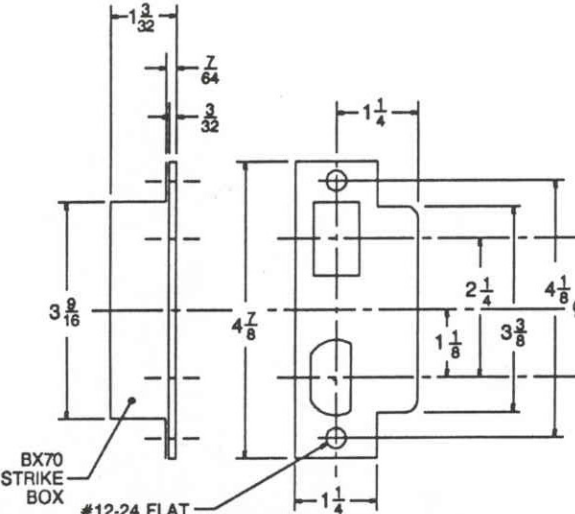
FOR PROPER INSTALLATION DEADLOCKING PLUNGER ON LATCH BOLT MUST STOP AGAINST STRIKE.



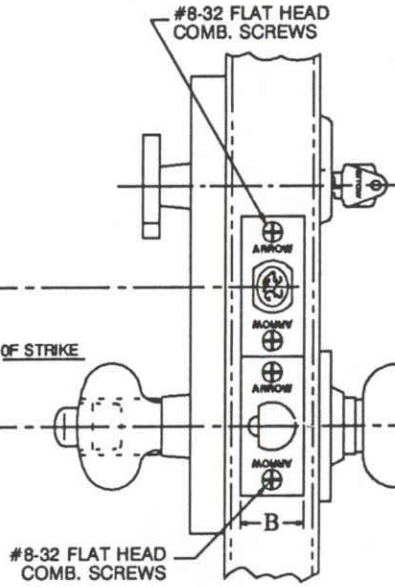
1/8 IN 2 BEVEL



#8-32 FLAT HEAD COMB. SCREWS

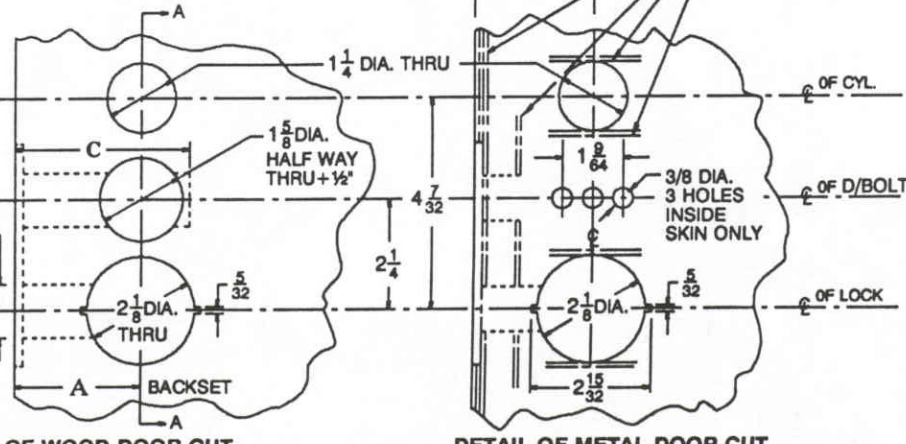
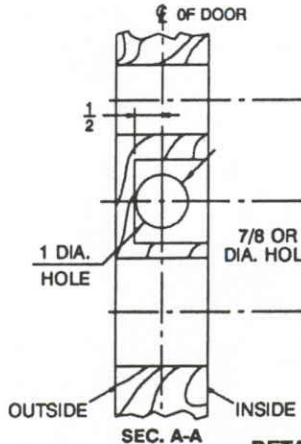


370 (LEFT HAND) OR 372 (RIGHT HAND) STRIKE



REINFORCEMENT BY DOOR MFG. TO SUPPORT LOCK AND LATCH (D/BOLT) IN CENTER OF DOOR TO PREVENT LATERAL MOVEMENT.

DESCRIPTION	DIM'S	K SERIES
BACKSET	A	2 3/8 OR 2 3/4
WIDTH OF THE LATCH FRONT	B	1 OR 1 1/8
DEPTH OF D/BOLT HOLE	C	3 3/8 MIN. FOR 2 3/8 B.S. 3 3/4 MIN. FOR 2 3/4 B.S.



DETAIL OF WOOD DOOR-CUT

DETAIL OF METAL DOOR-CUT

**ARROW** TEMPLATE

PRODUCT

**K SERIES LOCK**

DO NOT SCALE

REV. & DATE

A 05-90

TEMPLATE NO.

1129A